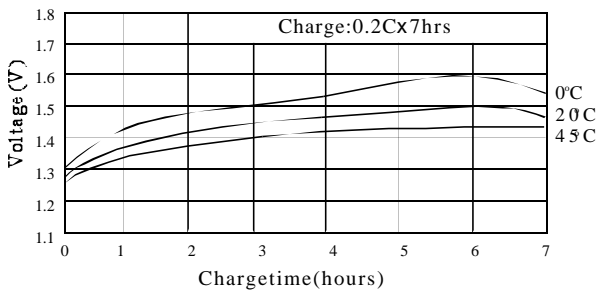


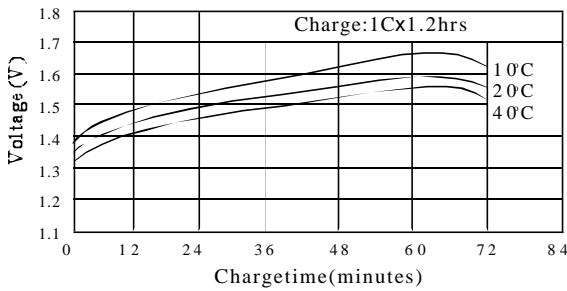
DATA SHEET

General Characteristics

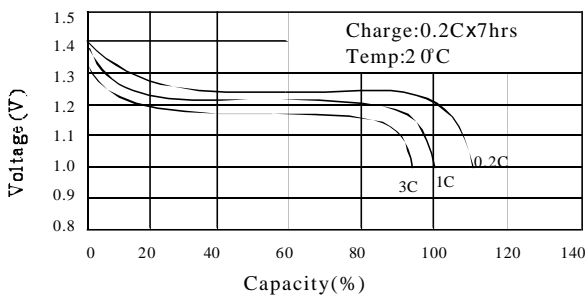
Standardcharge



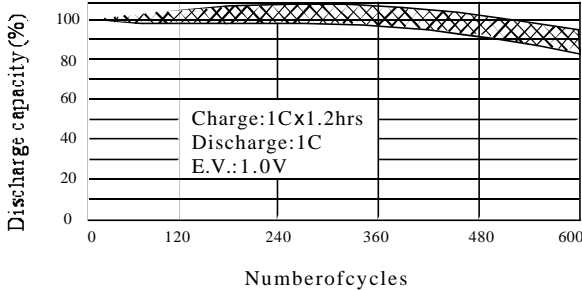
Fastcharge



Discharge characteristic at 20°C

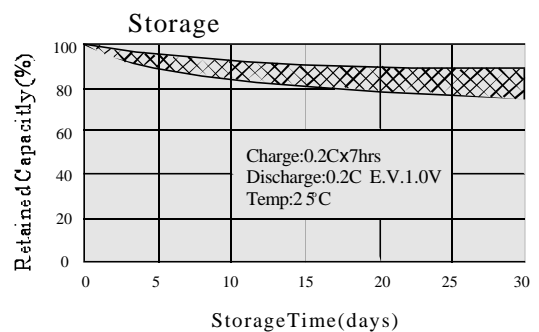
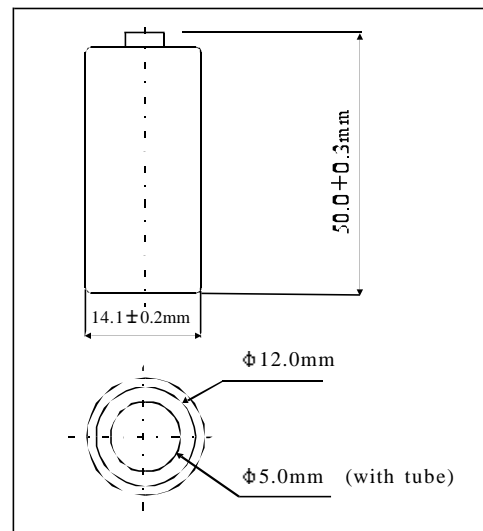


Cycle life



Specifications

Nominal Voltage		1.2V	
Capacity (mAh)		C/5	1C
	Nominal	1300	120
	Typical	1400	1300
Dimension	Diameter	13.9 ± 0.2mm	
	Height	50.0 ± 0.3mm	
Approx Weight		24g	
Internal Resistance (at 1KHz)		≲ 25mΩ (full charged)	
Charge	Standard	260mA x 7hrs	
	Fast	1300mA x 1.2hrs	
	Trickle	3965 mA	
Discharge Cut-off Voltage		1.0V	
Cycle Life		≳ 500	
Ambient Temperature	Standard Charge	0-50°C	
	Fast Charge	10-50°C	
	Trickle Charge	0-45°C	
	Discharge	-20-60°C	
	Storage	-20-45°C	
Relative Humidity		65 ± 20%	



Note:

- 1. Nominal capacity rated at C/5, 20°C
- 2. Other capacities are for reference.
- 3. Weight and internal resistance are for reference.