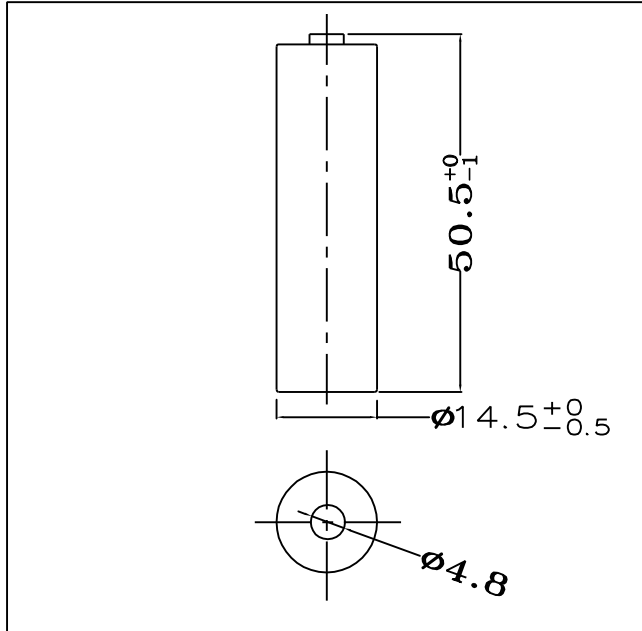


TYPE:GH-AA2000mAh(A) Specification

Nominal voltage		1.2V
Capacity ¹	0.2C Discharge	
	Minimum	2000mAh
	Typical ³	2100mAh
Cell Dimensions	mm	
	Diameter	14.5⁺⁰_{-0.5}
	Height	50.4⁺⁰₋₁
Weight ⁴	Grams	
	28	
Internal impedance ⁴ at 1000HZ.		30mΩ (After charge)
Charge	Standard	200mA(0.1C)×16hrs
	Rapid	1000mA(1C)×2.5hrs
Ambient temperature	Charge	°C
		Standard
	Rapid	10°C to 40°C
	Discharge	-20°C to 65°C
	Storage	-20°C to 45°C

Dimensions(with tube) (mm)

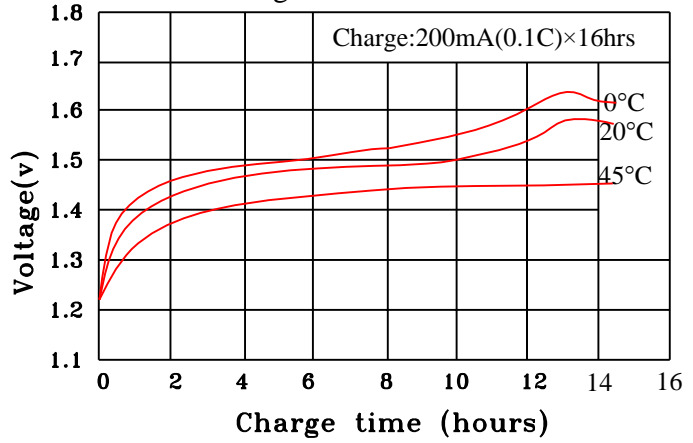


Note:

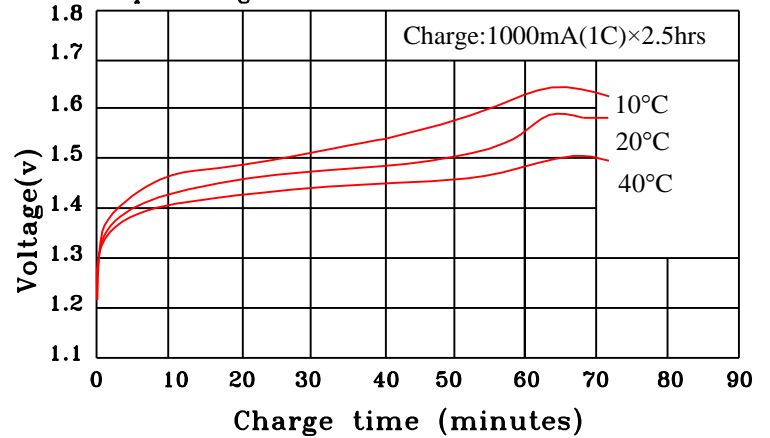
1. After charging at 0.1C for 16 hours.
2. Nominal capacity, rated at 0.2C, 20°C
3. Average capacity. For reference only.
4. Weight and internal impedance are for reference.

Typical characteristics

Standard charge characteristics



Rapid charge characteristics



Discharge characteristics

