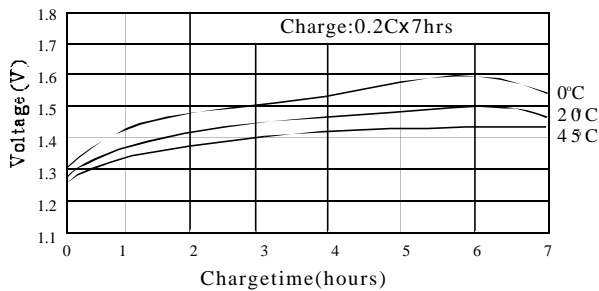


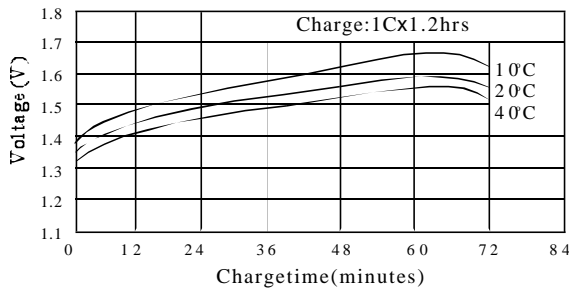
# DATA SHEET

## General Characteristics

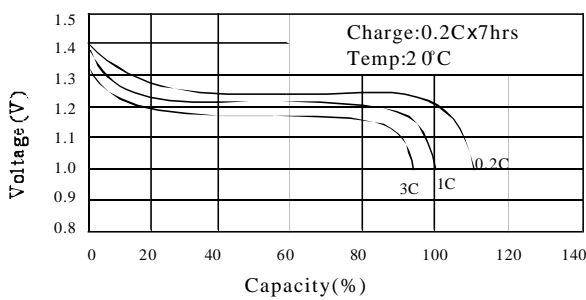
### Standardcharge



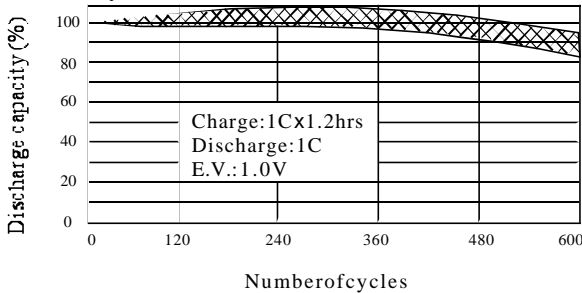
### Fastcharge



### Dischargecharacteristicat 20°C

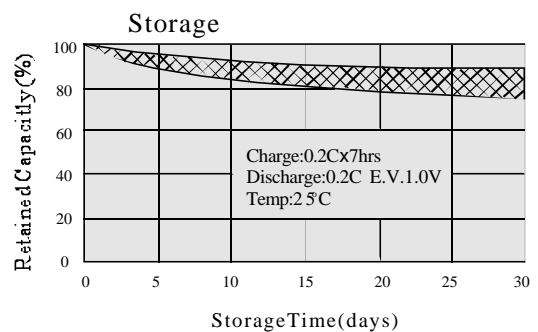
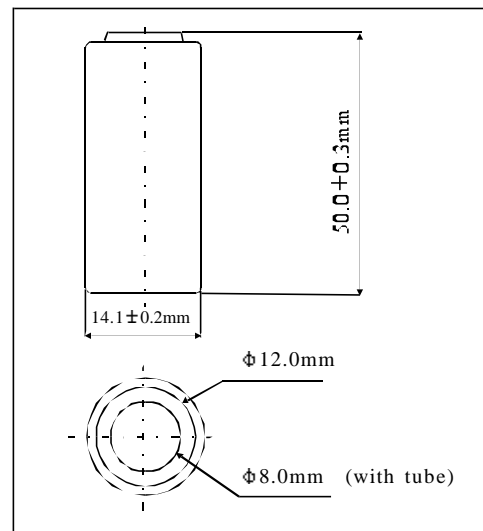


### Cycle life



## Specifications

Nominal Voltage		1.2V	
Capacity (mAh)		C/5	1C
	Nominal	1600	1450
	Typical	1750	1600
Dimension	Diameter	13.9±0.2mm	
	Height	65.0±0.3mm	
Approx Weight		34g	
Internal Resistance (at 1KHz)		≲20mΩ (full charged)	
Charge	Standard	320mA x 7hrs	
	Fast	1600mA x 1.2hrs	
	Trickle	4880mA	
Discharge Cut-off Voltage		1.0V	
Cycle Life		≳500	
Ambient Temperature	Standard Charge	0-50°C	
	Fast Charge	10-50°C	
	Trickle Charge	0-45°C	
	Discharge	-20-60°C	
	Storage	-20-45°C	
Relative Humidity		65±20%	



**Note:**

- 1. Nominal capacity rated at C/5, 20°C
- 2. Other capacities are for reference.
- 3. Weight and internal resistance are for reference.