

REV. 修訂		REVISIONS	日期 DATE
版次 REV.	記號 DESCRIPTION		

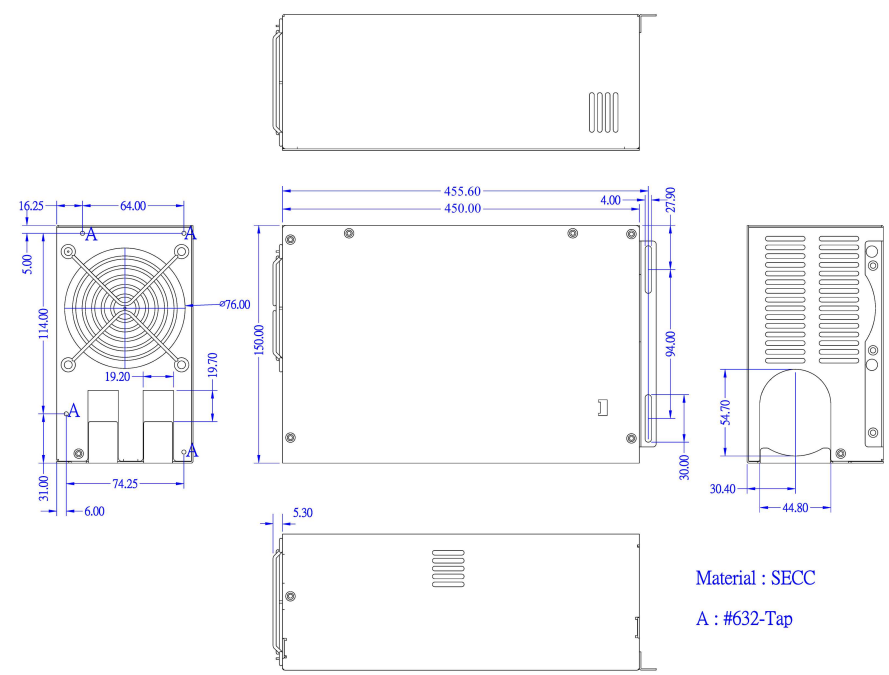
A

B

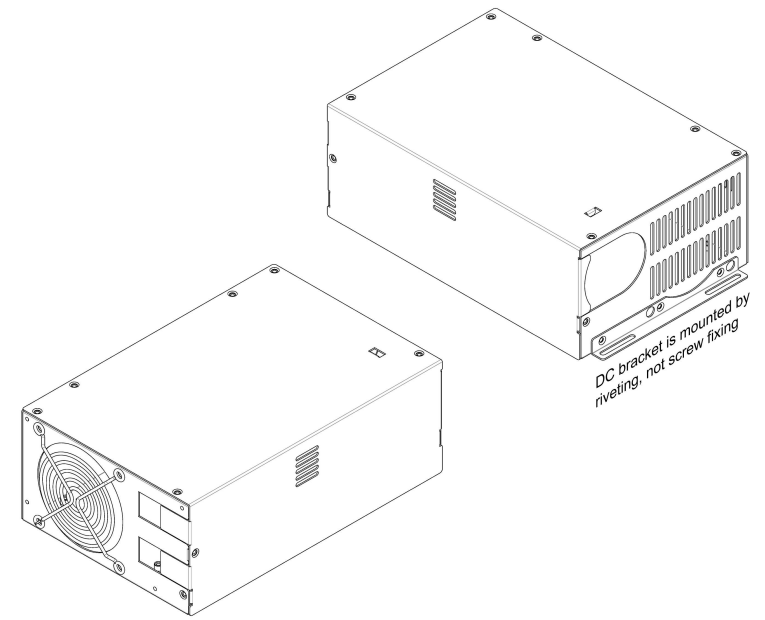
C

D

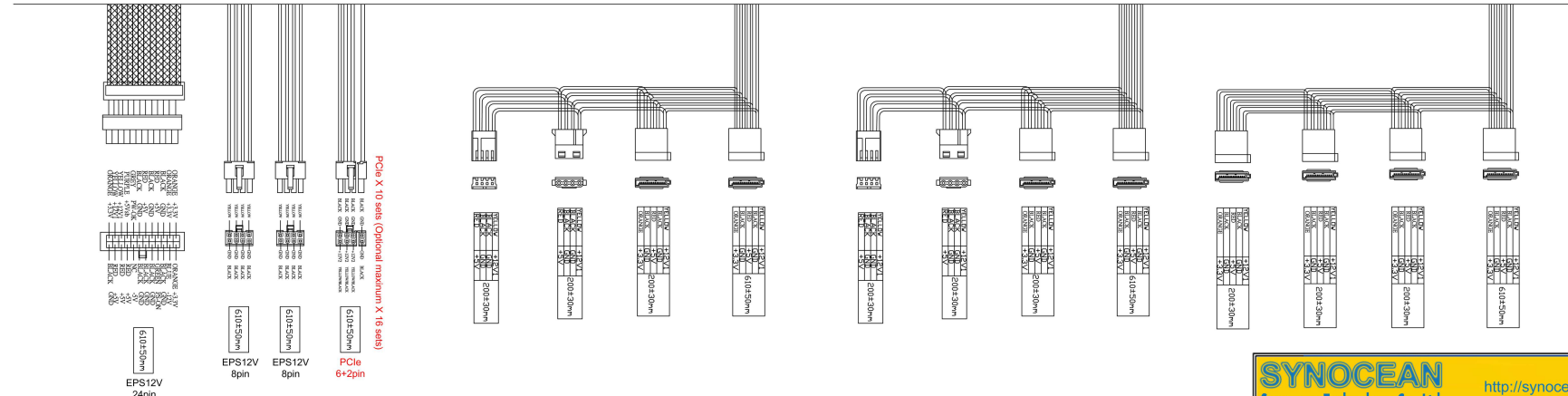
E



Material : SECC  
A : #632-Tap



DC bracket is mounted by riveting, not screw fixing



This drawing is also compatible with  
STC-242500  
STC-482500

容許公差: TOLERANCES:	.XXX ±.025 .XX ±.100 .X ±.250
投影法: PROJECTION:	第三角法

材料規格: MATERIAL:	Japanese SECC 1.0mm thickness
核准者: APPROVE BY:	Frederick Lee
日期: DATE:	November 24, 2021
審核者: CHECK BY:	Kenny Tsai
日期: DATE:	November 24, 2021
繪圖者: DRAW BY:	Veness Huang
日期: DATE:	November 24, 2021

<b>SYNOCEAN</b> Synocean Technology Co., Ltd. <a href="http://synoceantech.com">http://synoceantech.com</a>	
品名: NAME:	Input 24V & 48V DC 2500W ATX Form Factor
料號: PART NO.:	STC-DTD-450
圖號: DRAW NO.:	
檔號: FILE NO.:	STC-DTD-450-20211124
單位: UNITS:	mm
版次: REV. NO.:	0.0
規格: SPEC.:	
編號: SHEET:	