

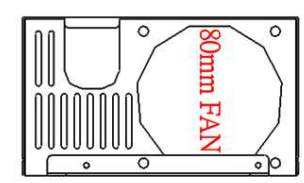
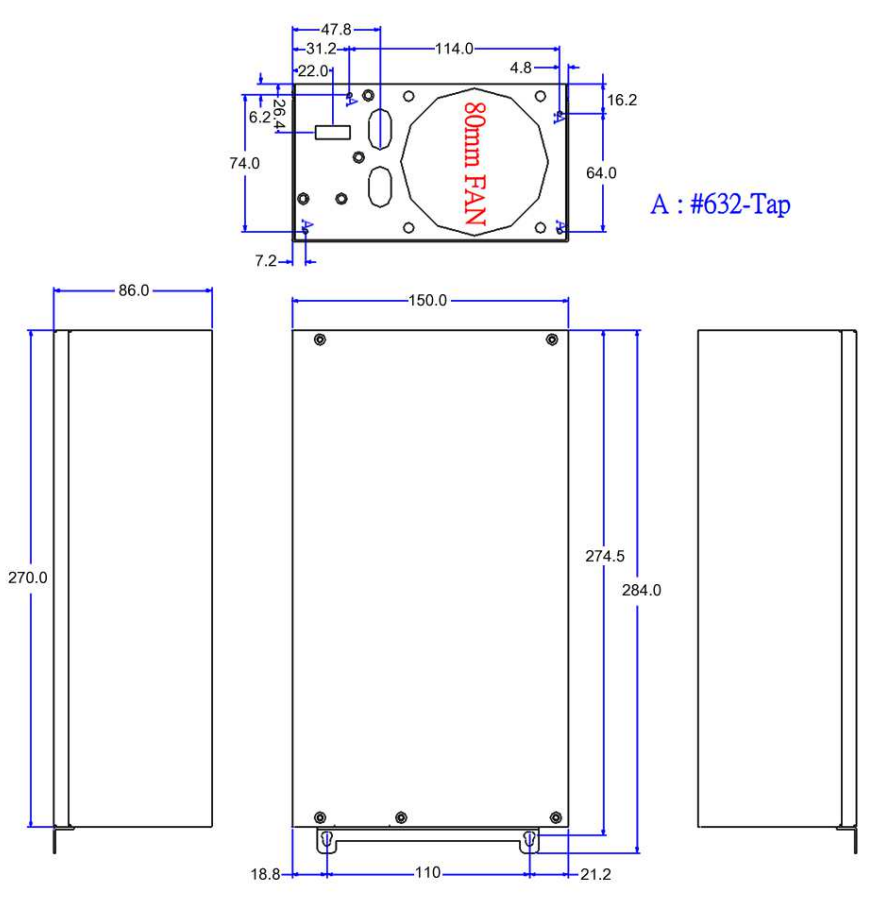
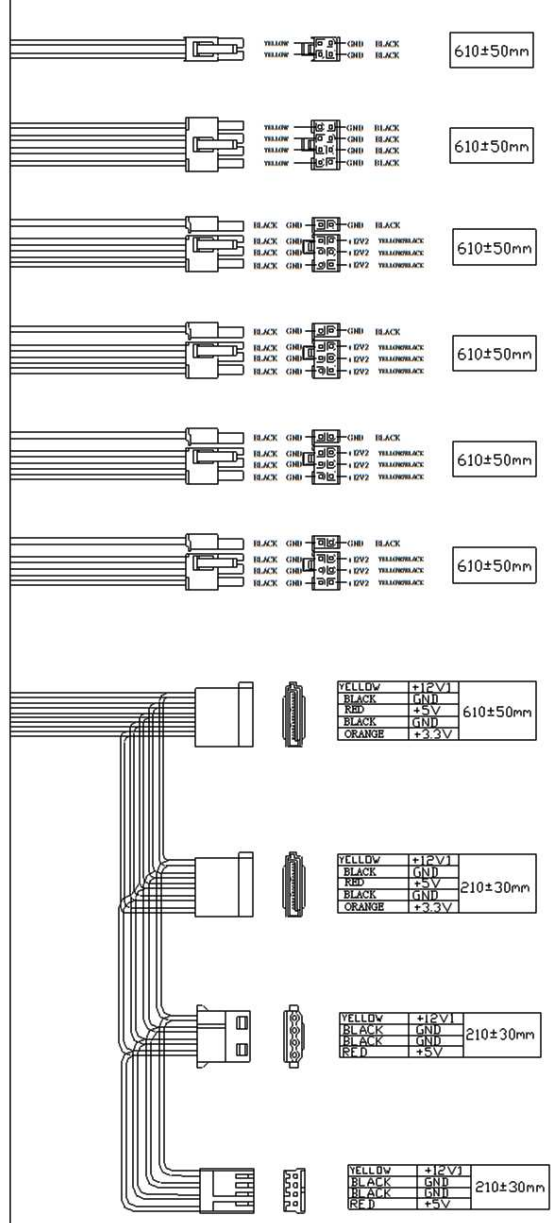
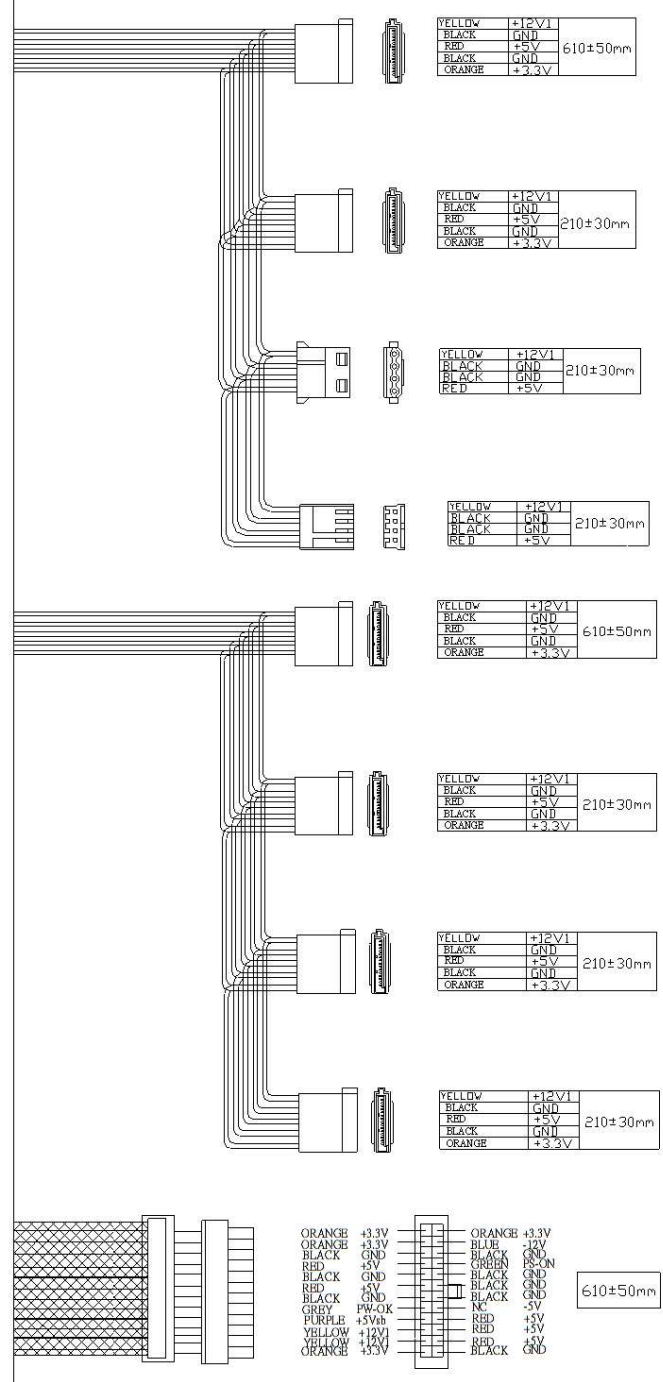
A

B

C

D

E



This drawing is also compliant with
 STC-121000
 STC-121100
 STC-241100
 STC-481200
 STC-1201200



容許公差: TOLERANCES:	材料規格: MATERIAL:	品名: NAME:	料號: PART NO:
.XXX ±.025	核准者: APPROVE BY: Frederick Lee	日期: DATE: March 22, 2017	日期: DATE: March 22, 2017
.XX ±.100	審核者: CHECK BY: Euclid Chang	日期: DATE: March 22, 2017	圖號: DRAW NO:
.X ±.250	繪圖者: DRAW BY: Venness Huang	日期: DATE: March 22, 2017	檔號: FILE NO: D2D-270-20170322
投影法: PROJECTION: 第三角法	單位: mm UNITS:	版次: 0.0 REV. NO:	規格: SPEC:
			編號: SHEET: