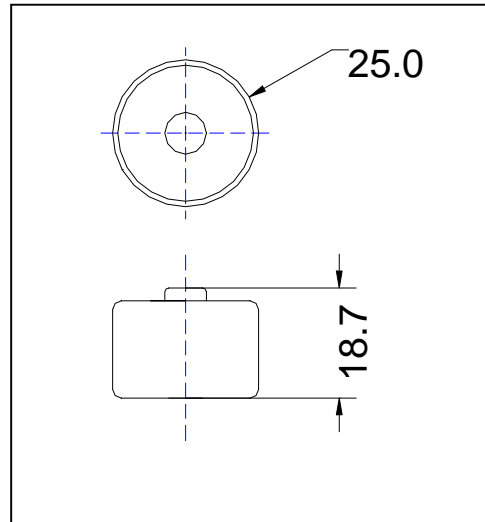


Manganese Dioxide Lithium Battery(Li/MnO₂)

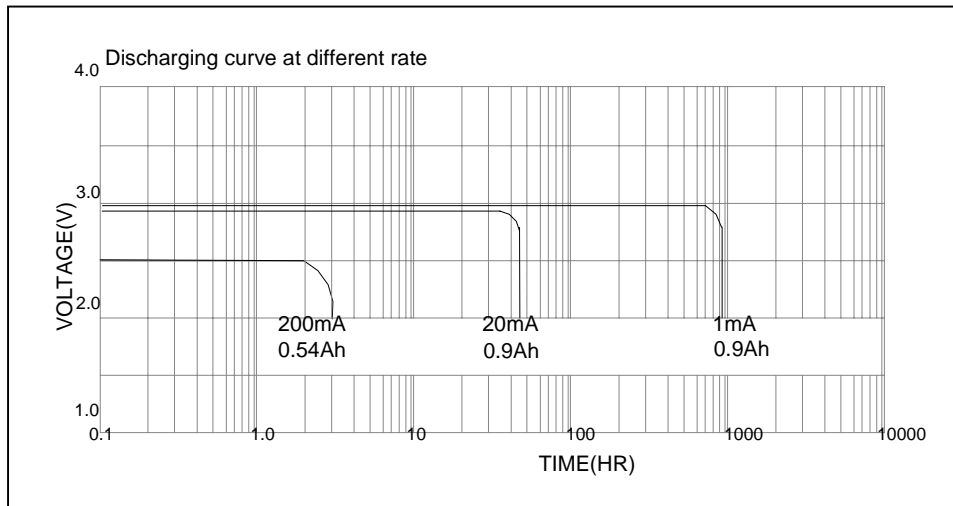
MODEL: CR25187

Nominal capacity (5mA to 2.0V)	900 mAh
Nominal voltage	3.0 V
Max. Continuous operating current	200 mA
Max. pulse current	400 mA
Battery weight	22 g
Battery Dimension mm	$\phi 25.0^{\pm 0.2} \times 18.7^{-0.2}$
operating temperature	-40°C~+60°C



Notes: All dimensions are in mm.
Tolerance is ± 0.3 mm.

Characteristic:



Warning:

- .Do not short-circuit;
- .Do not recharge, force over-discharge, assemble / disassemble and crush; risk of fire and burns;
- .Do not use under temperature above specified range