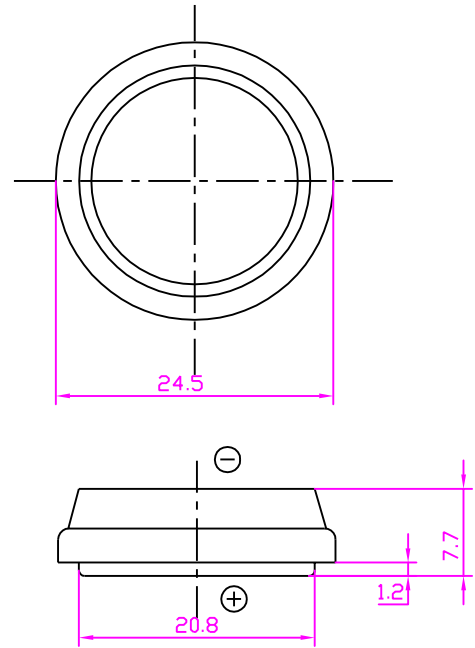
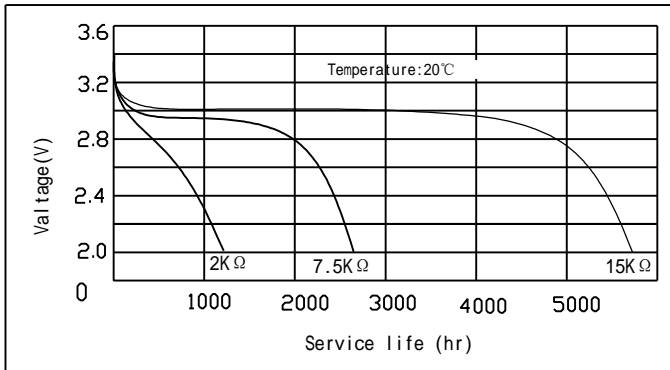


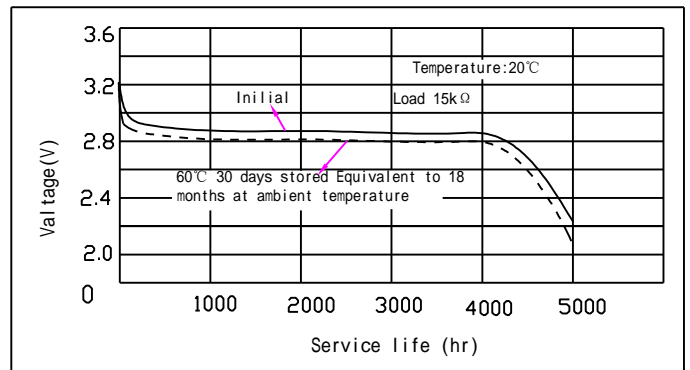
CR2477	
Nominal voltage	3V
Nominal capacity	1000(mAH)
Load resistance	15(KΩ)
Weight	8.3 (g)



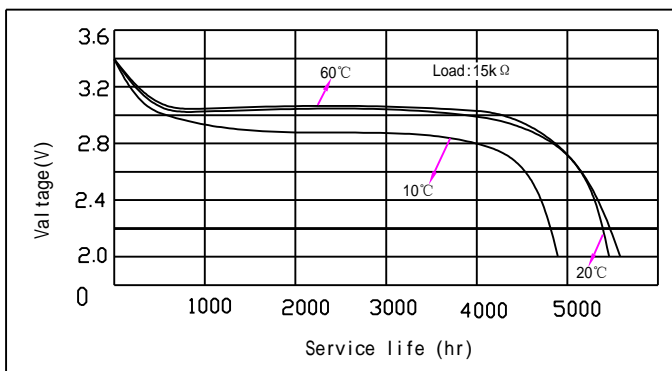
Discharge Characteristics



Storage Characteristics



Temperature Characteristics



Load-Capacity

