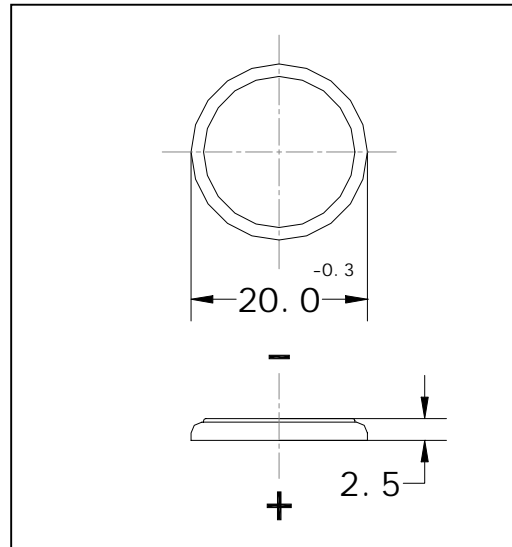


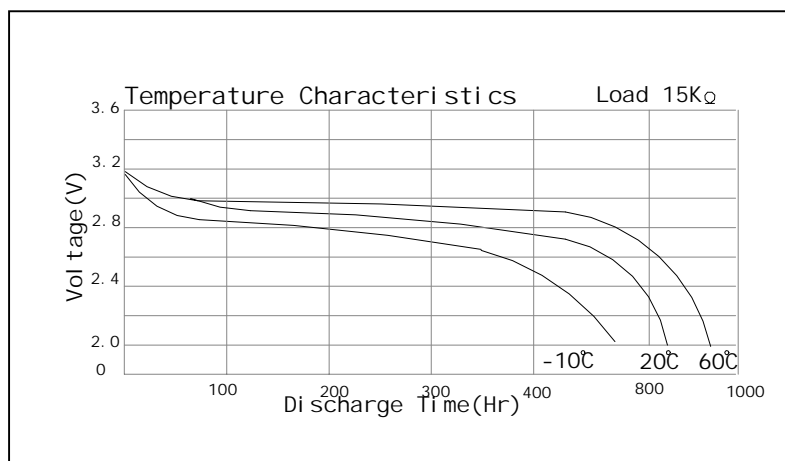
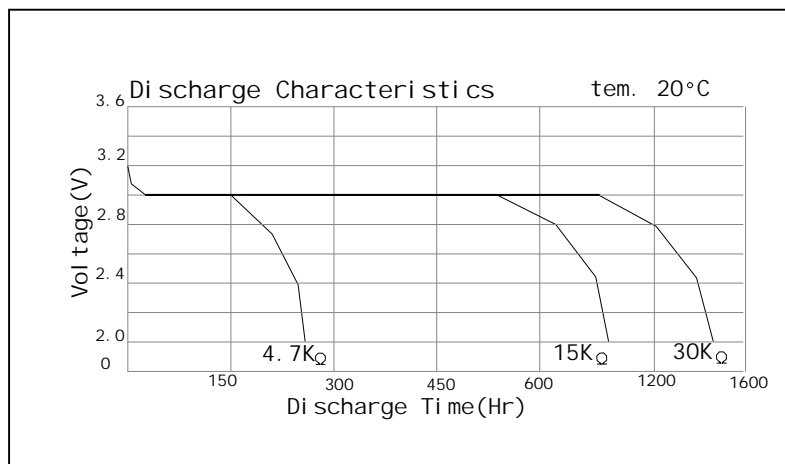
Manganese Dioxide Lithium Button Cell(Li/MnO₂)

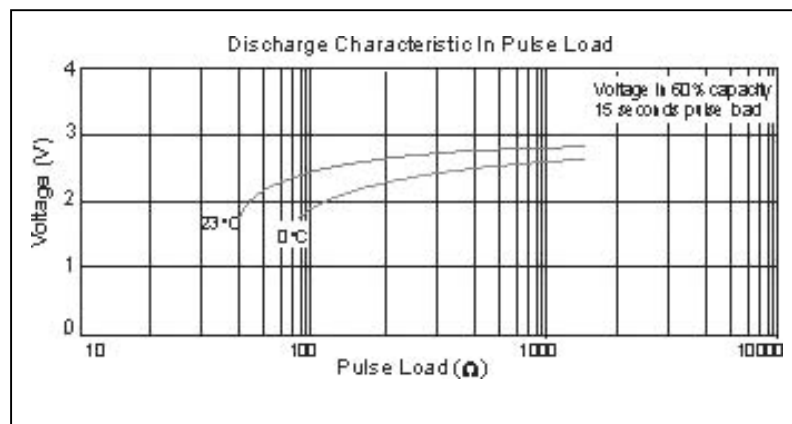
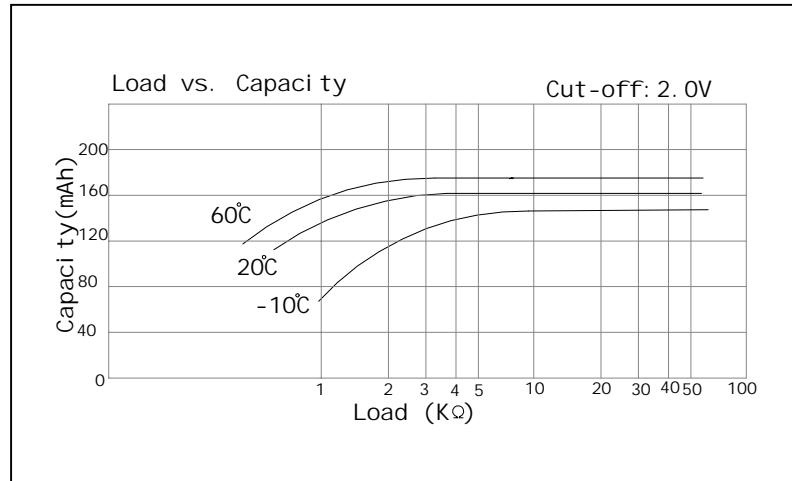
MODEL: CR2025

Nominal capacity (0.10mA to 2.0V)	150 mAh
Nominal voltage	3.0 V
Max. Continuous operating current	5 mA
Max. Pulse current	20 mA
Battery weight	2.5 g
Battery dimension	φ 20.0×2.5 mm
operating temperature	-30°C~+60°C



Electrical Characteristics:





Warning:

- .Do not short-circuit;
- .Do not recharge, force over-discharge, assemble / disassemble and crush; risk of fire and burns;
- .Do not use under temperature above specified range